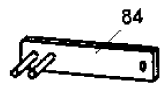
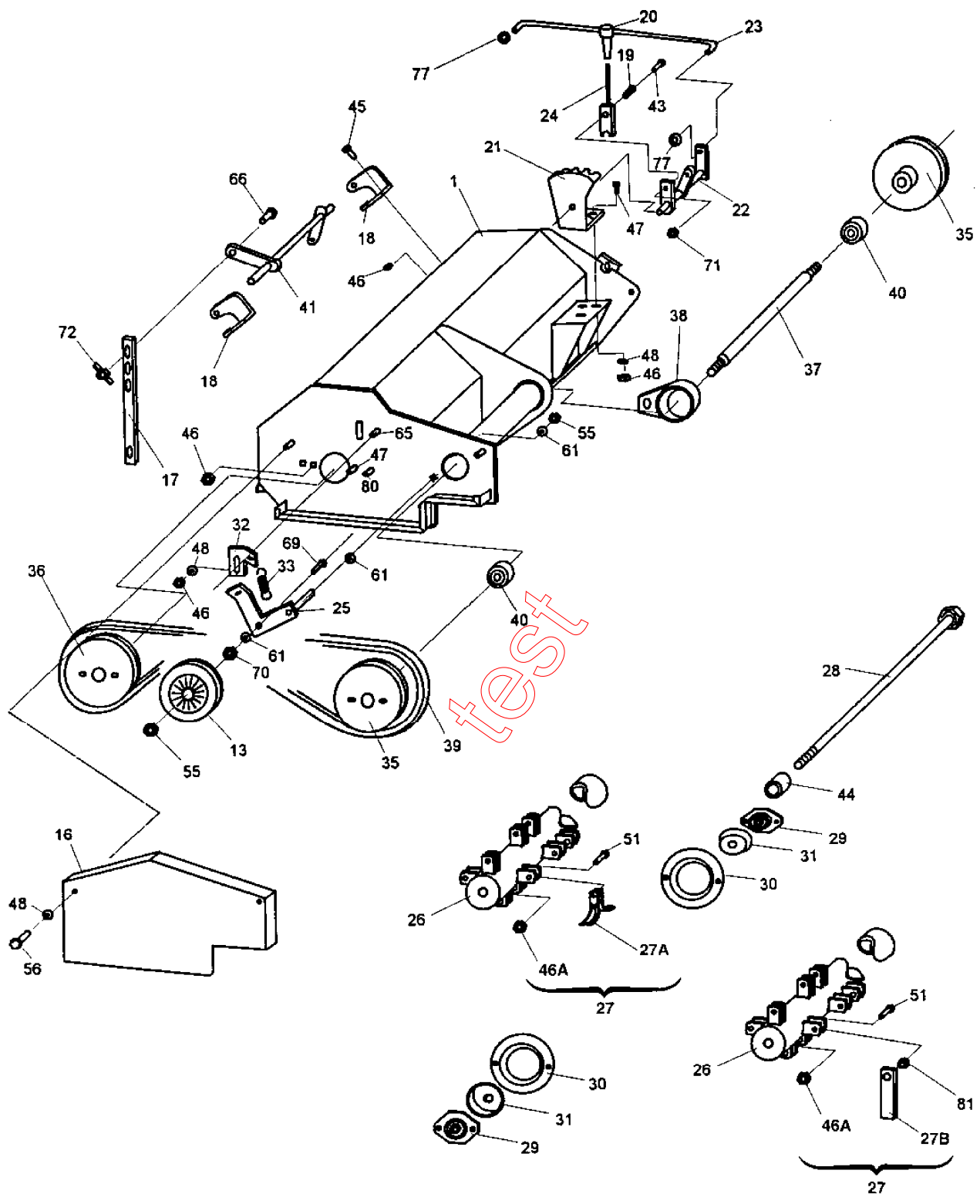


Section: FLAIL MOWER ART.NO 13-1977-12 LAWN RAKE ART.NO 13-1984-12

Pos.	Quantity		Spare part No	Description	Kit	Notes	New
		1977	1984				
2	1	1	1319-1762-01	Frame			
3	1	1	1319-1763-01	Side plate-L.H.			
4	1	1	1319-1764-01	Side plate-R.H.			
5	2	2	1319-1708-01	Wheel fork			
6	2	2	1134-3520-01	Support wheel			
7	2	2	1134-0305-00	Casing wheel			
8	1	1	1134-9024-01	Bearing		Sats 4 st/kit of 4	
9	2	2	1319-1709-01	Dust cap			
10	1	1	1319-1710-01	Rubber guard			
11	1	1	1319-1711-01	Rubber guard holder			
12	1	1	1319-1712-01	Belt guard			
13	1	1	1319-1591-01	Pulley			
14	1	1	1319-1518-01	Support			
15	1	1	1319-1517-01	Support			
34	1	1	1111-1842-01	Spring			
42	1	1	9585-0123-00	V-belt			
46	3	3	9747-0831-02	Lock nut			
48	1	1	9699-0028-02	Flat washer			
49	8	8	9997-0620-16	Screw			
50	2	2	9699-0025-02	Washer			
51	3	3	9997-0825-16	Screw			
52	2	2	9997-1035-16	Screw			
53	2	2	9501-0500-00	Grease joint			
54	2	2	9997-1060-12	Screw			
55	7	7	9747-1031-02	Lock nut			
57	2	2	9997-1080-12	Screw			
58	6	6	9699-0085-02	Flat washer			
59	10	10	9747-0631-02	Lock nut			
60	1	1	9997-1050-16	Screw			
61	3	3	9699-0035-02	Flat washer			
62	2	2	9599-0085-02	Split pin			
63	4	4	9699-0042-02	Flat washer			
64	3	3	9739-1031-22	Nut			
66	2	2	1134-0240-00	Shoulder screw			
67	2	2	9598-0003-02	Spring pin			
68	2	2	9747-0831-02	Lock nut			
71	2	2	9787-0831-32	Nut			
73	2	2	1319-1735-01	Collar			
74	2	2	1134-0366-00	Bearing socket			
75	2	2	9997-1025-16	Screw			
76	1	1	1134-2629-01	Lift link			
78	2	2	9699-0042-02	Flat washer			
79	1	1	1319-1616-01	Spring attachment			
82	2	2	9997-1025-16	Screw			
83	2	2	9747-0831-02	Lock nut			
84	1	1	1319-1776-01	Collar			
86	1	1	9598-0003-02	Spring pin			
87	1	1	1134-2630-01	Link			
88	1	1	9405-0031-00	Eye-bolt			
89	1	1	1134-0576-00	Link key			



Section: FLAIL MOWER ART.NO 13-1977-12 LAWN RAKE ART.NO 13-1984-12

Pos.	Quantity	Spare part No	Description	Kit	Notes	New
		1977	1984			
1	1	1	1319-1761-01	Frame		
13	1	1	1319-1591-01	Pulley		
16	1	1	1319-1713-01	Belt guard		
17	1	1	1319-1765-01	Lift rod		
18	2	2	1319-1715-01	Side plate		
19	1	1	1482-0160-01	Spring		
20	1	1	1134-3193-01	Lever handle		
21	1	1	1134-3128-01	Height adj.quadrant		
22	1	1	1319-1770-01	Lift shaft		
23	1	1	1319-1737-01	Lift plate		
24	1	1	1319-1769-01	Lever		
25	1	1	1319-1719-01	Tension arm		
26	1	1	1319-1720-01	Rotor shaft		
27		1	1319-1773-01	Tine kit		
27	1		1319-1772-01	Tine kit		
27A	104		1319-1721-01	.Tine-flail mower		
27B		52	1319-1738-01	.Tine-lawn rake		
28	1	1	1319-1722-01	Screw		
29	2	2	1319-1628-01	Bearing		
30	2	2	1319-1766-01	Guard plate		
31	2	2	1319-1767-01	Guard		
32	1	1	1319-1725-01	Spring holder		
33	1	1	1482-0160-01	Spring		
35	2	2	1319-1726-01	Belt pulley	D = 105 mm	
36	1	1	1319-1727-01	Belt pulley	D = 150 mm	
37	1	1	1319-1728-01	Shaft		
38	1	1	1319-1729-01	Support pipe		
39	1	1	1134-9029-01	V-belt	= 9585-0055-00	
40	2	2	9549-0027-00	Ball bearing		
41	1	1	1319-1730-01	Lift rod		
43	1	1	9997-0860-16	Screw		
44	1	1	1319-1732-01	Collar		
45	6	6	9997-0816-16	Screw		
46	10	10	9747-0831-02	Lock nut		
46A	52	52	9747-0831-02	.Lock nut		
47	5	5	9997-0820-16	Screw		
48	8	8	9699-0028-02	Flat washer		
51	52	52	9997-0825-16	.Screw		
55	2	2	9747-1031-02	Lock nut		
56	4	4	9997-0812-16	Screw		
61	3	3	9699-0035-02	Flat washer		
65	1	1	9898-0816-16	Screw		
66	1	1	1134-0240-00	Shoulder screw		
69	1	1	1319-1739-01	Screw		
70	1	1	9787-1031-32	Nut		
71	1	1	9787-0831-32	Nut		
72	1	1	1134-3259-01	Wing nut		
77	2	2	9675-0012-02	Locking washer		
80	4	4	9997-0612-16	Screw		
81		52	1319-1734-01	.Collar		
84	1	1	1319-1775-01	Pin wrench		